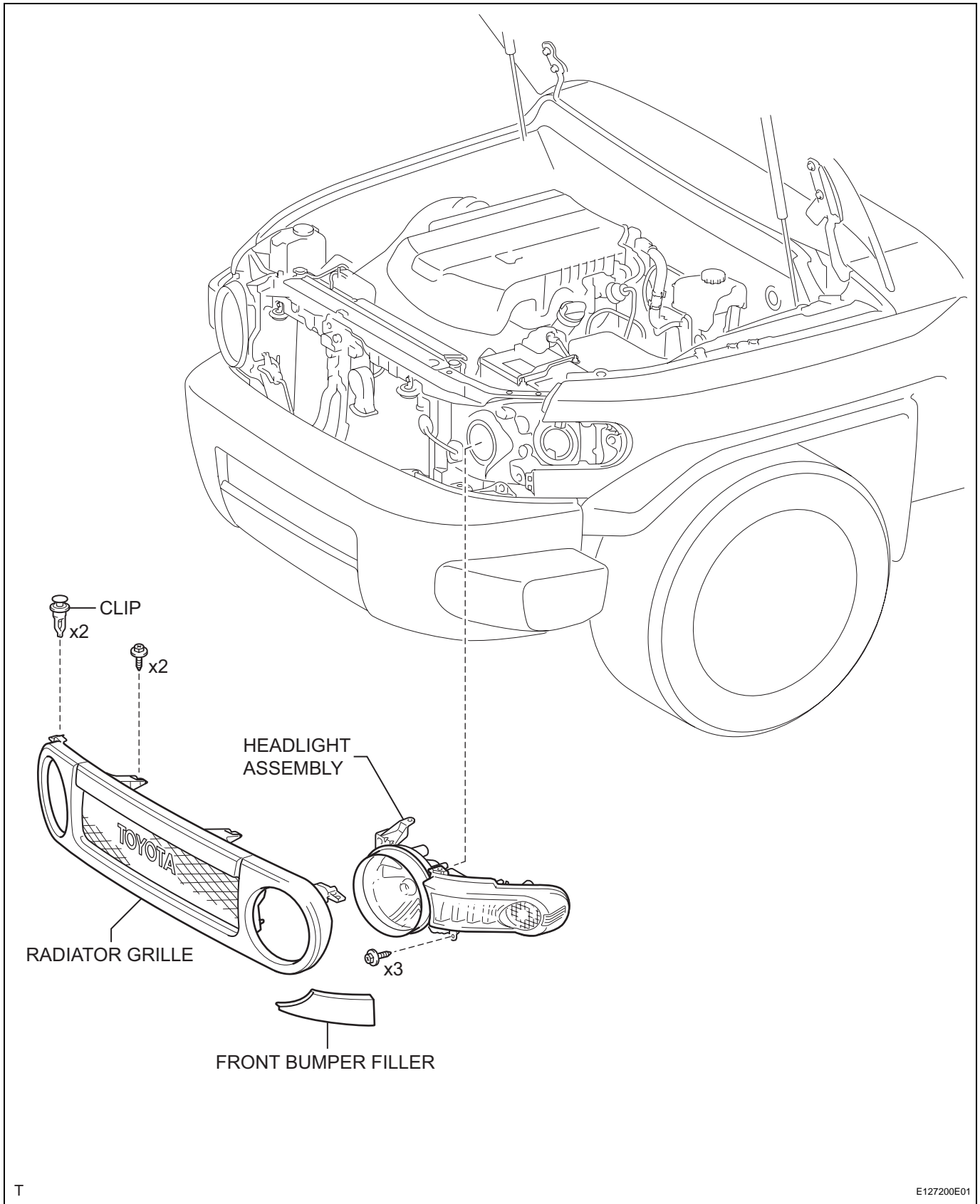
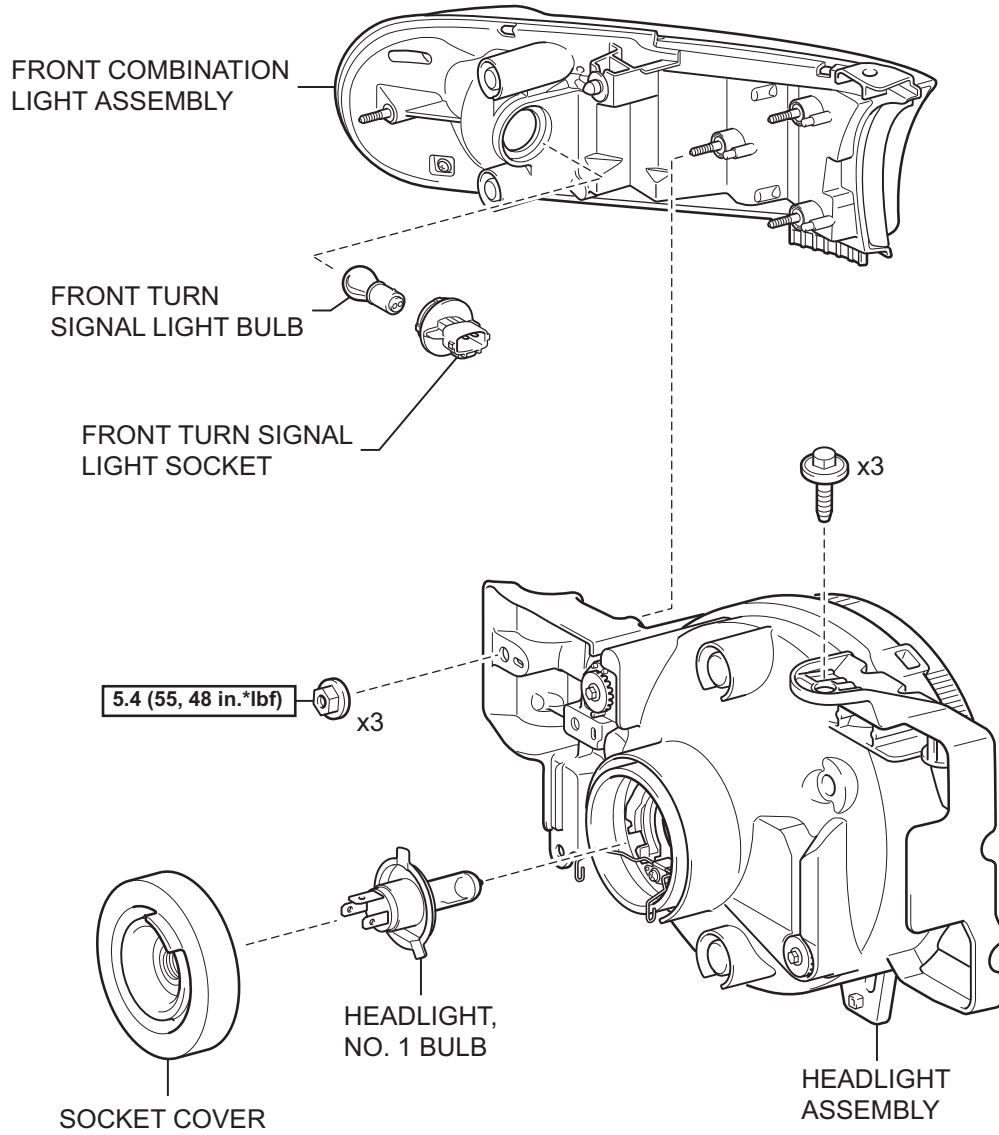


HEADLIGHT ASSEMBLY

COMPONENTS





N*m (kgf*cm, ft*lbf) : Specified torque